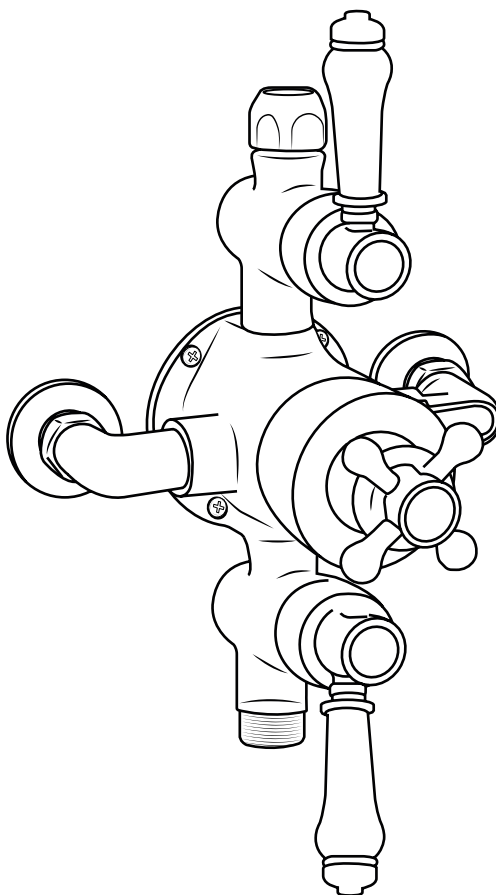



Milano

Triple Exposed Valve

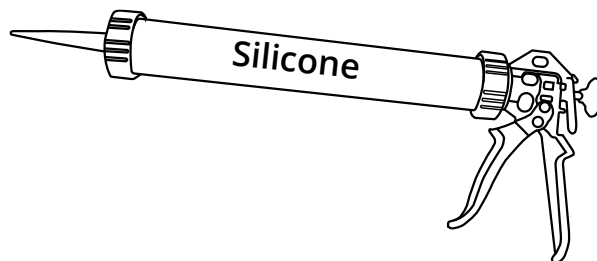
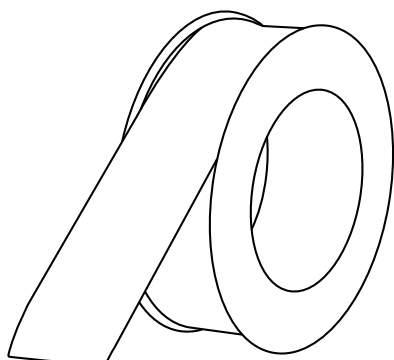
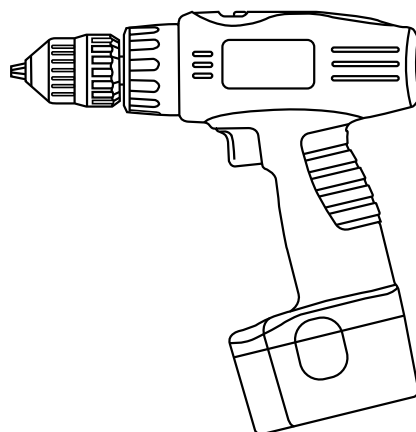
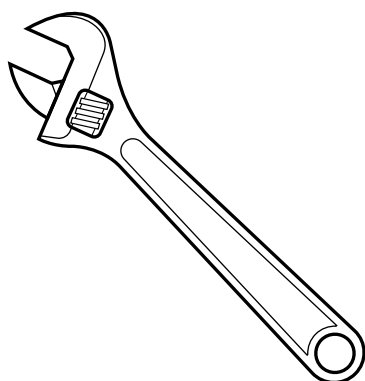
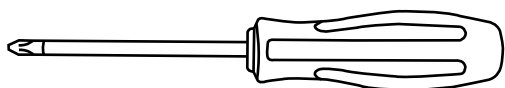


 Style may vary

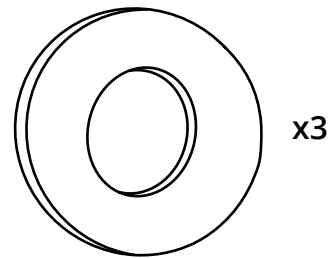
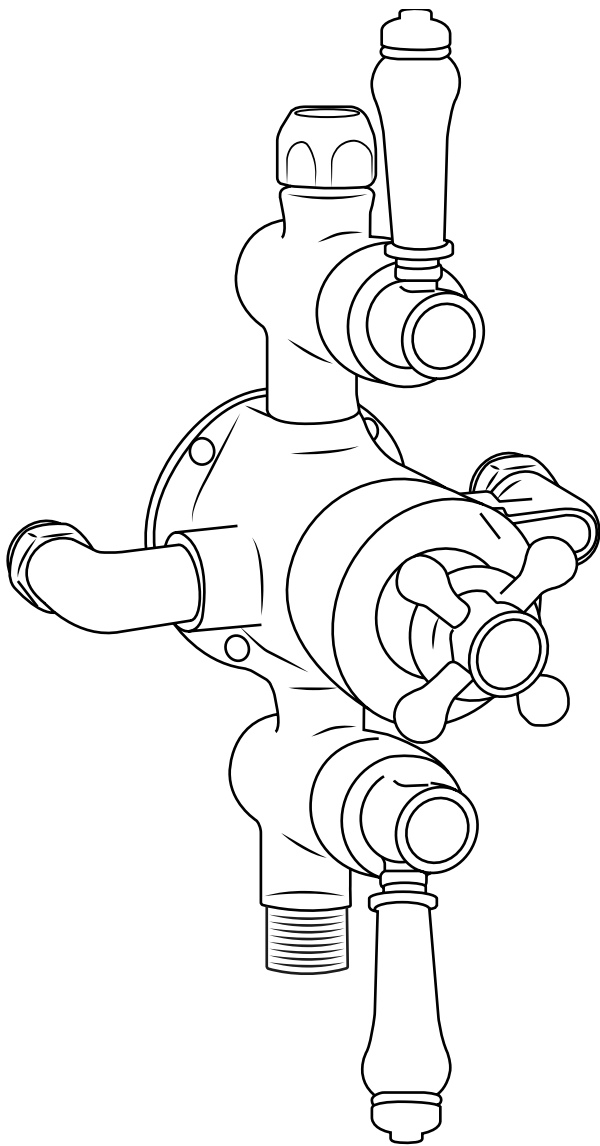
Installation Guide

Installation

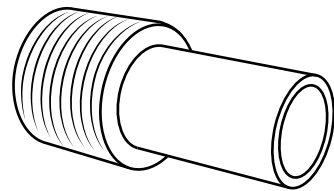
Tools required for installing:



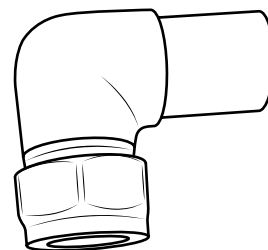
Parts included:



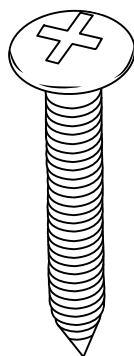
x3



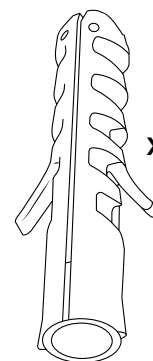
x3



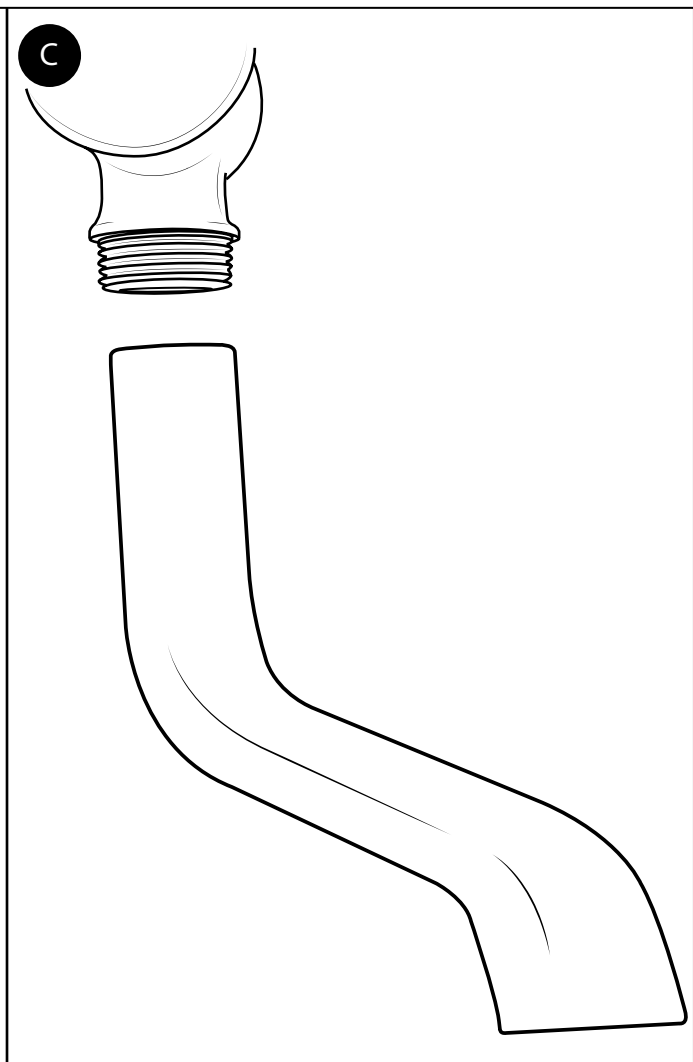
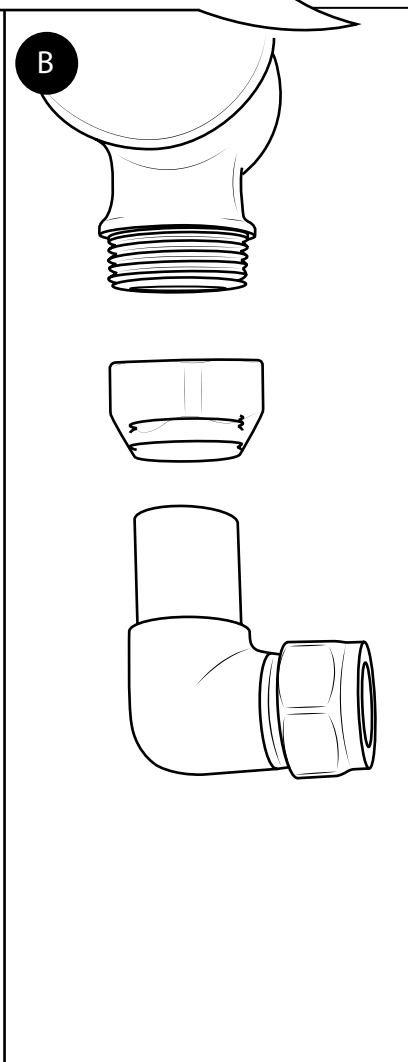
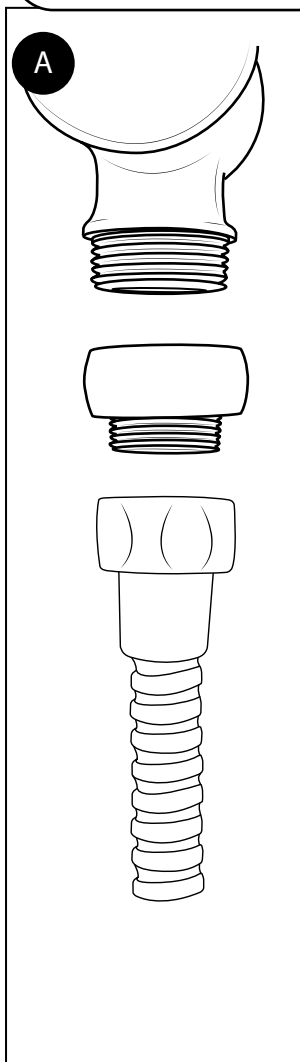
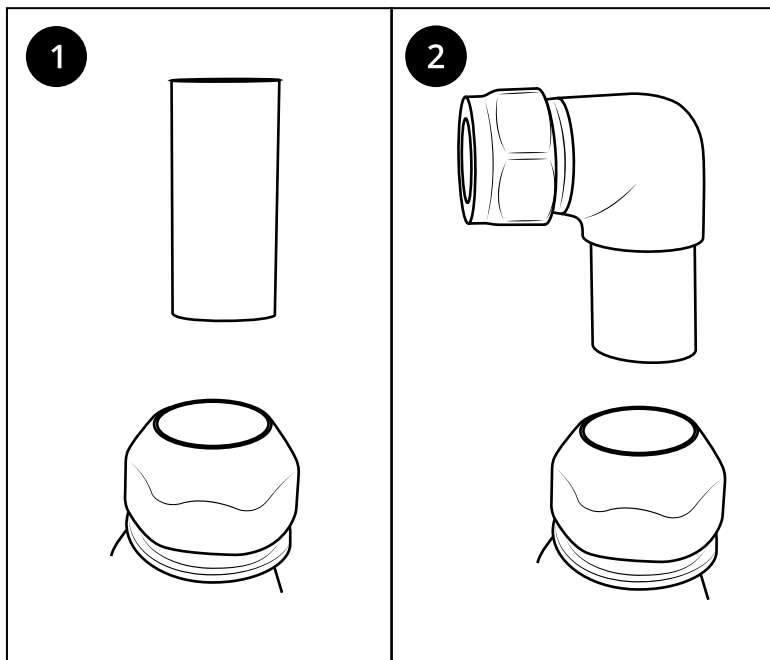
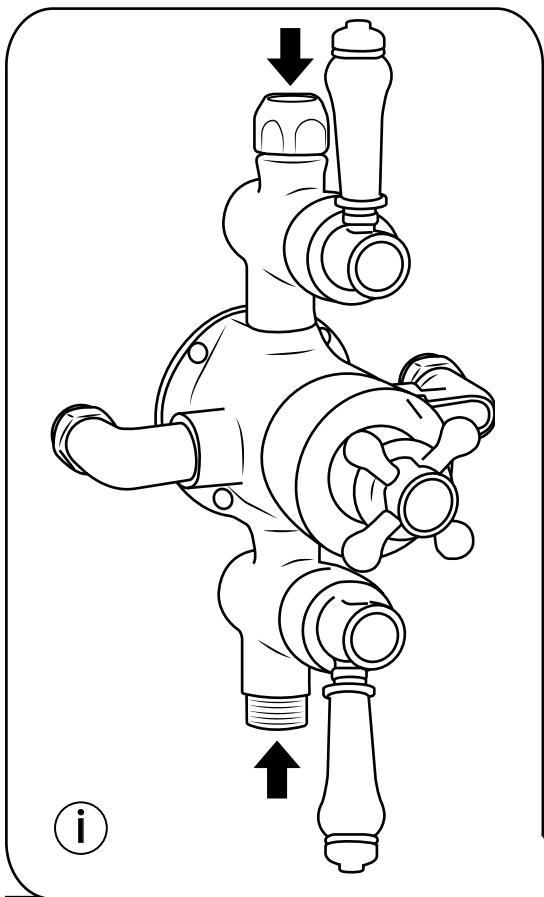
x3



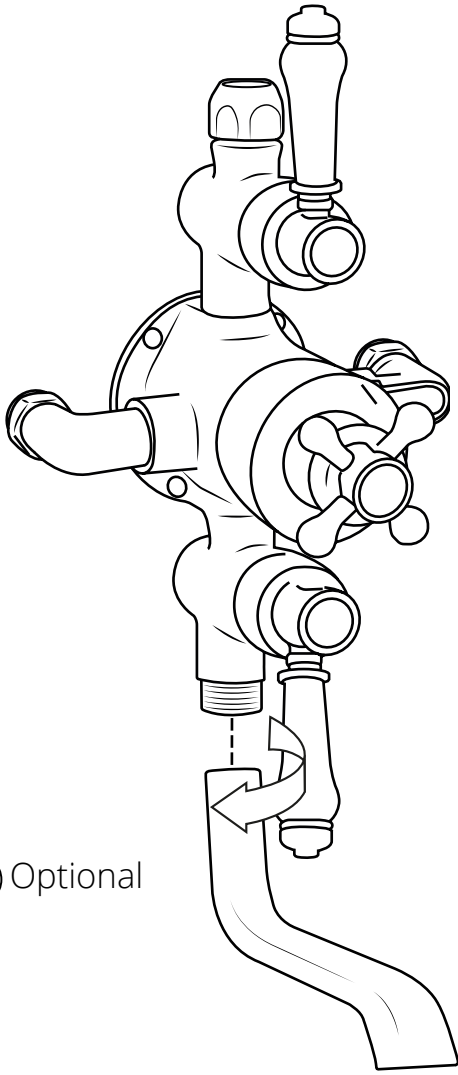
x4



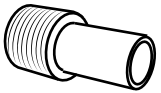
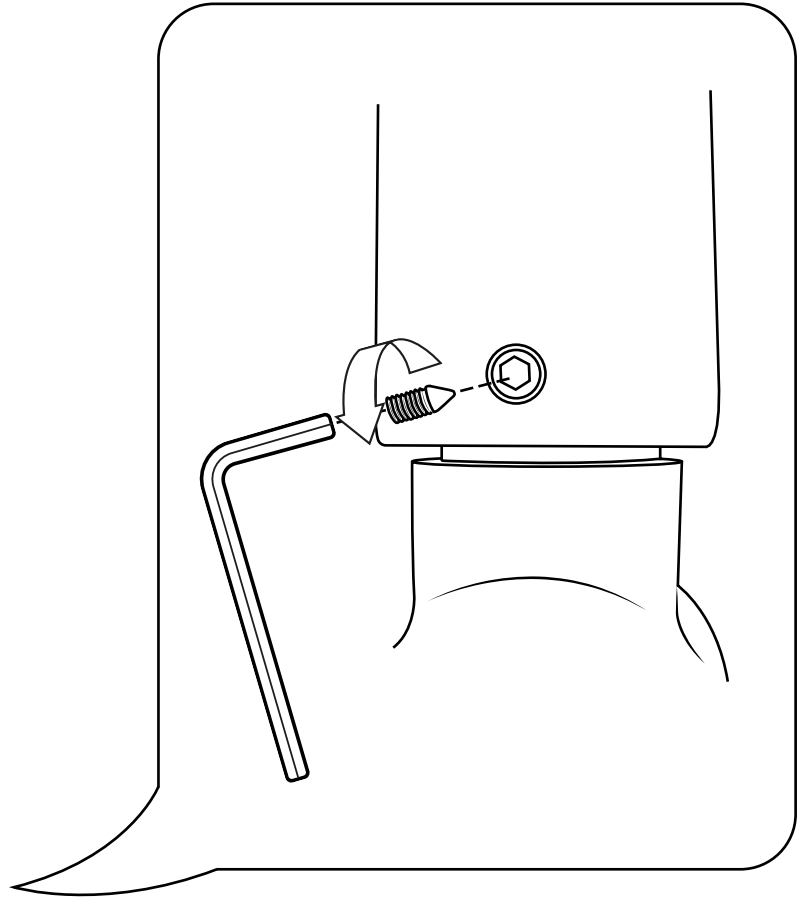
x4



1

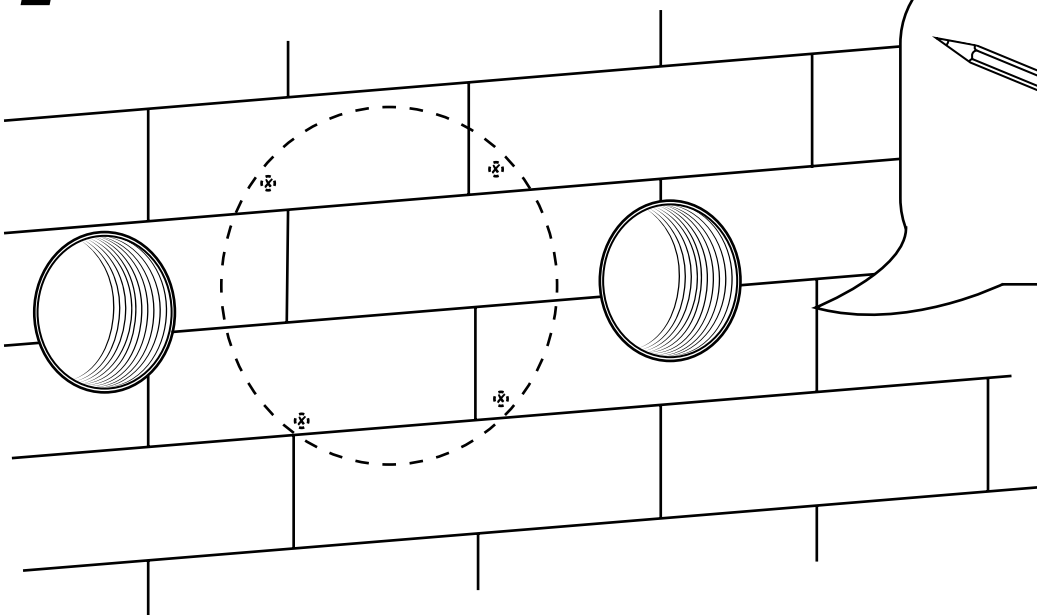


i Optional

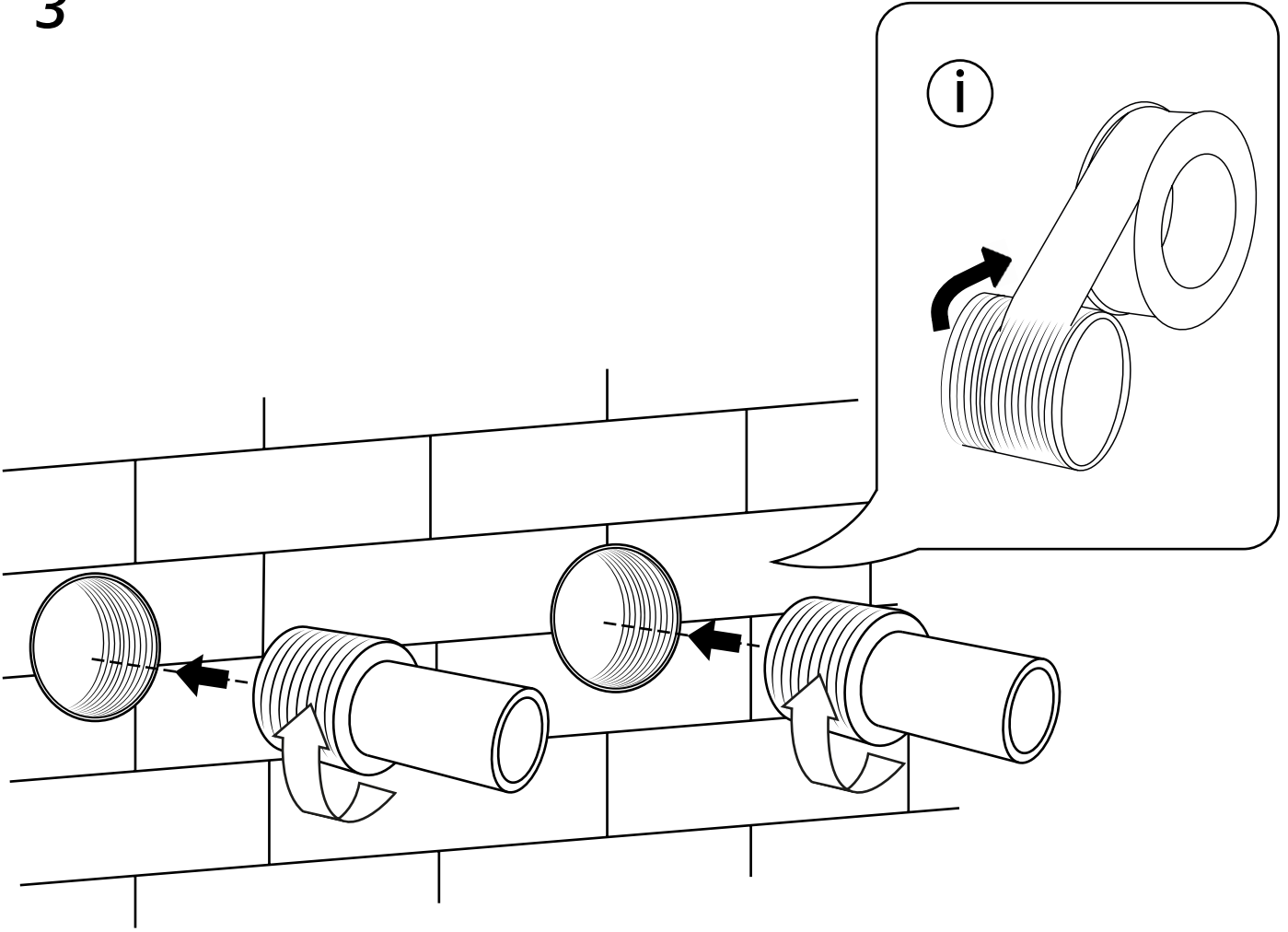


If not using stem adapters, skip to step 4

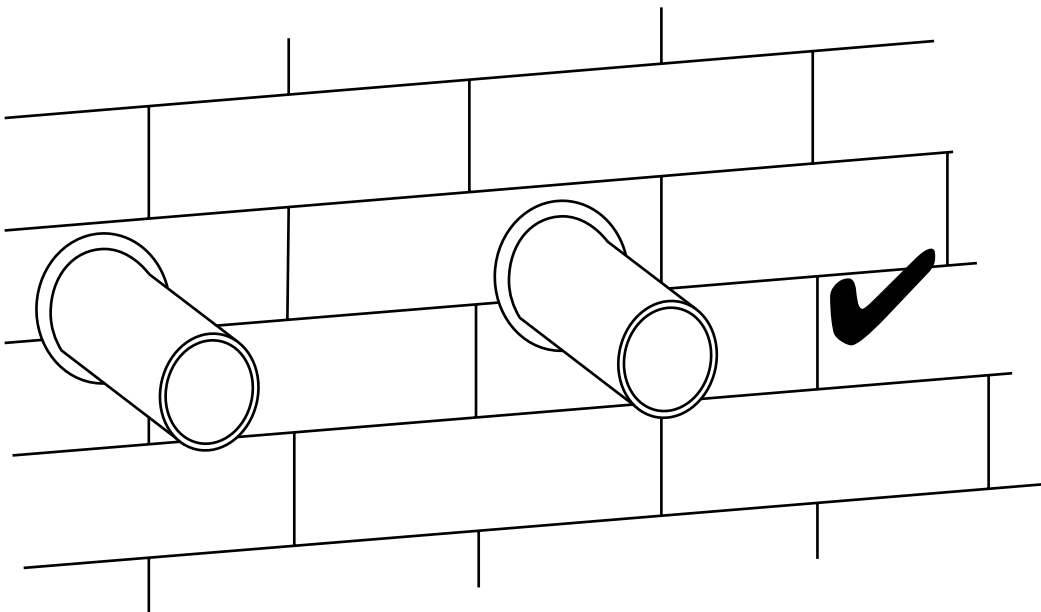
2



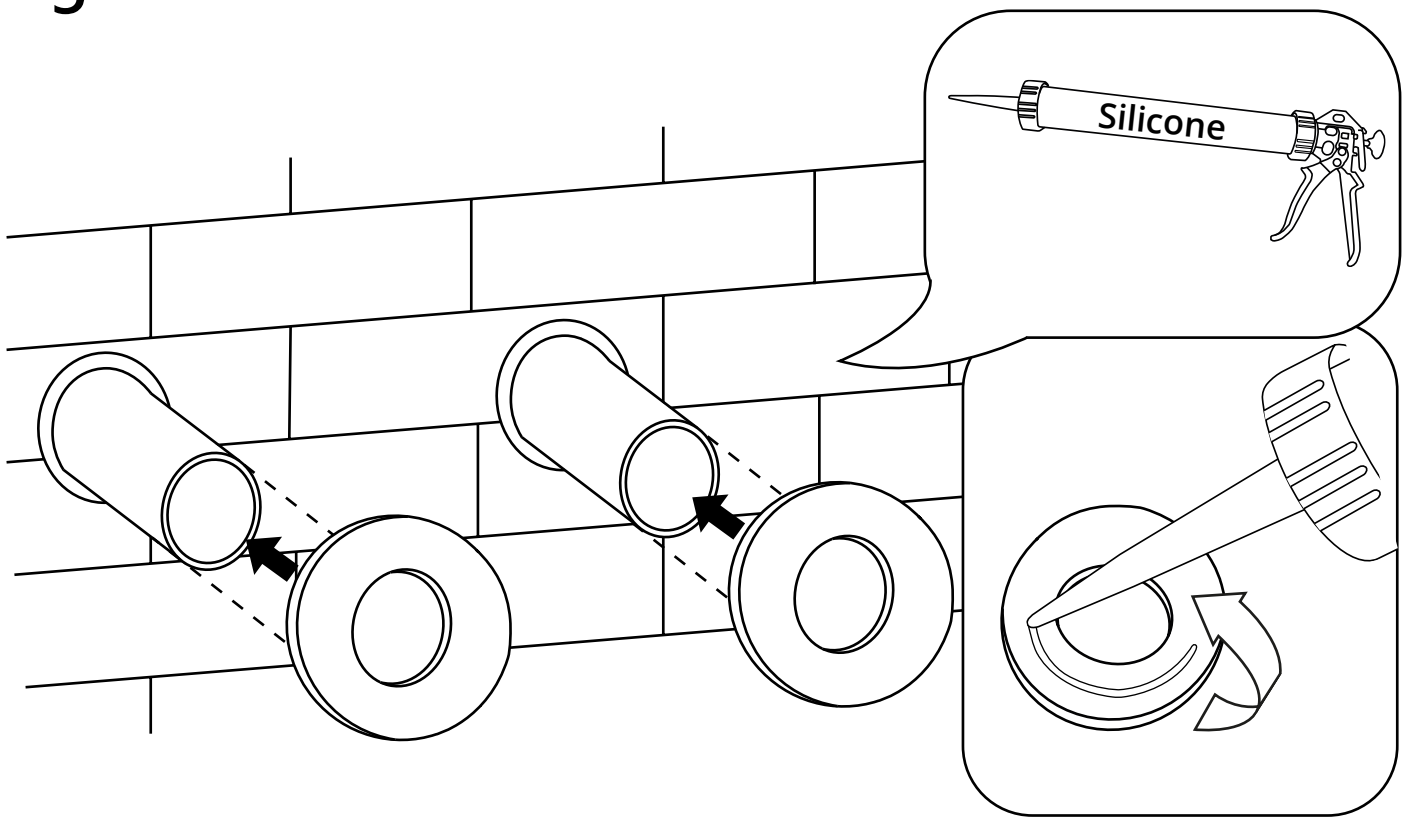
3



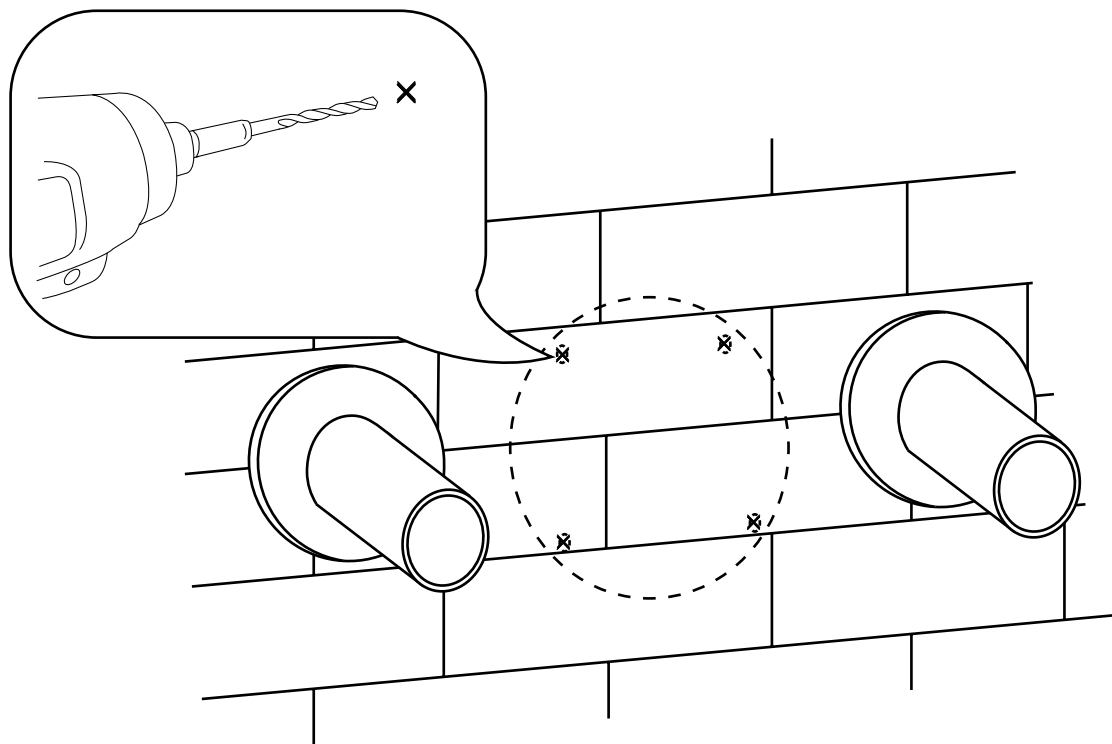
4



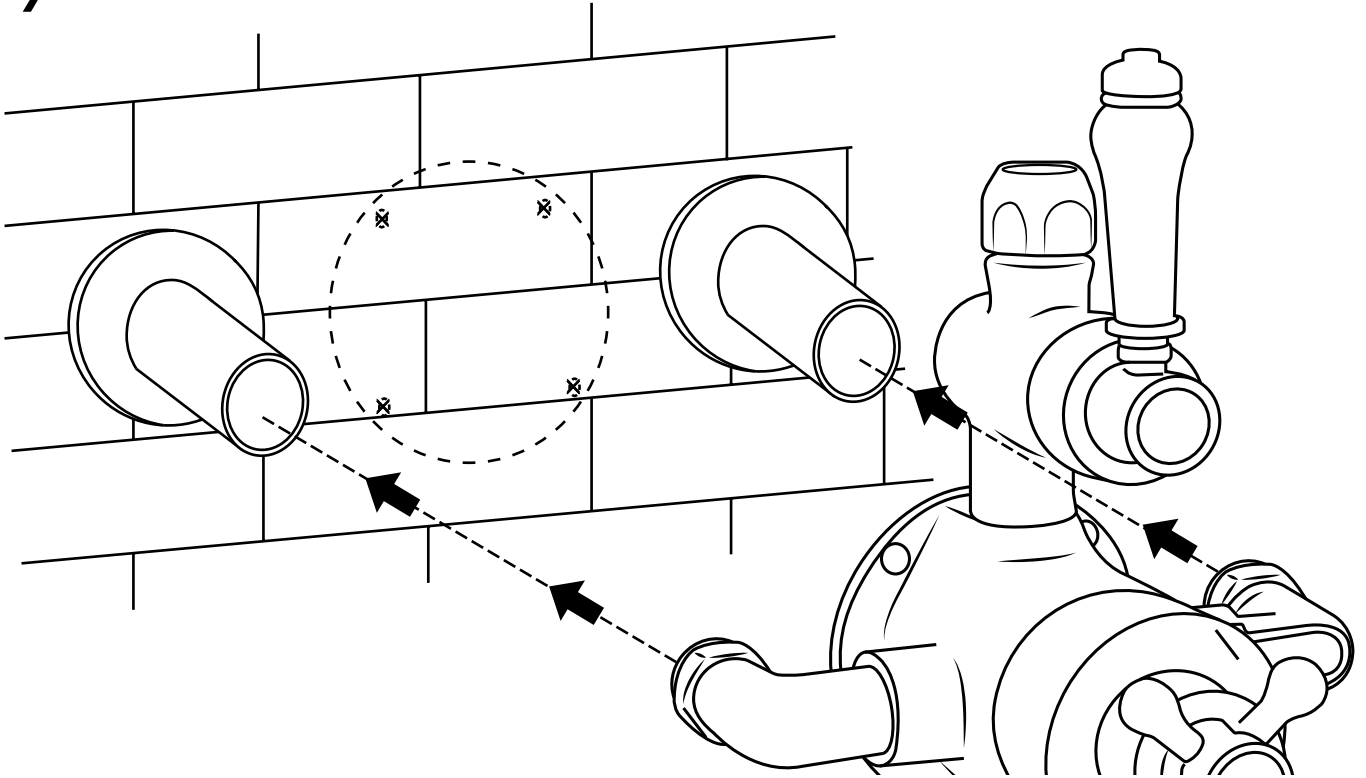
5



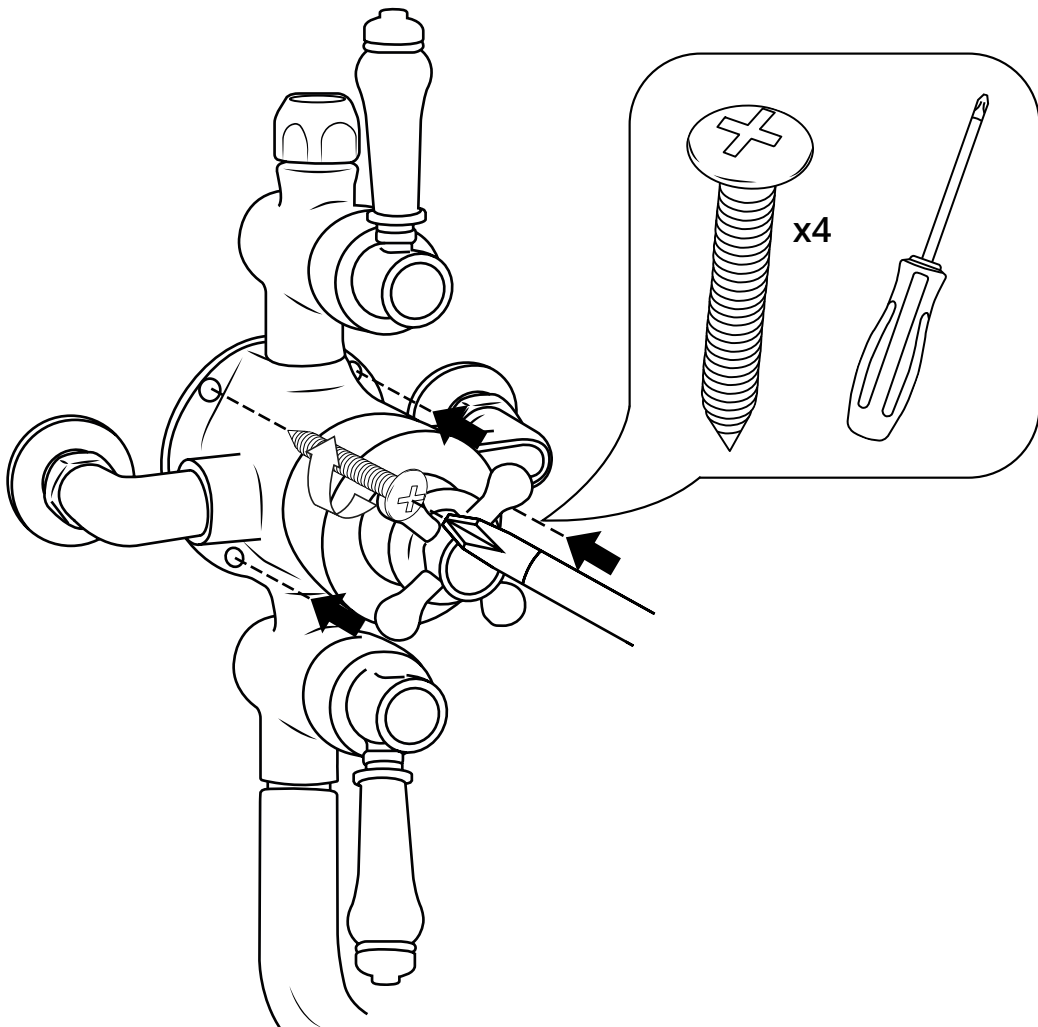
6



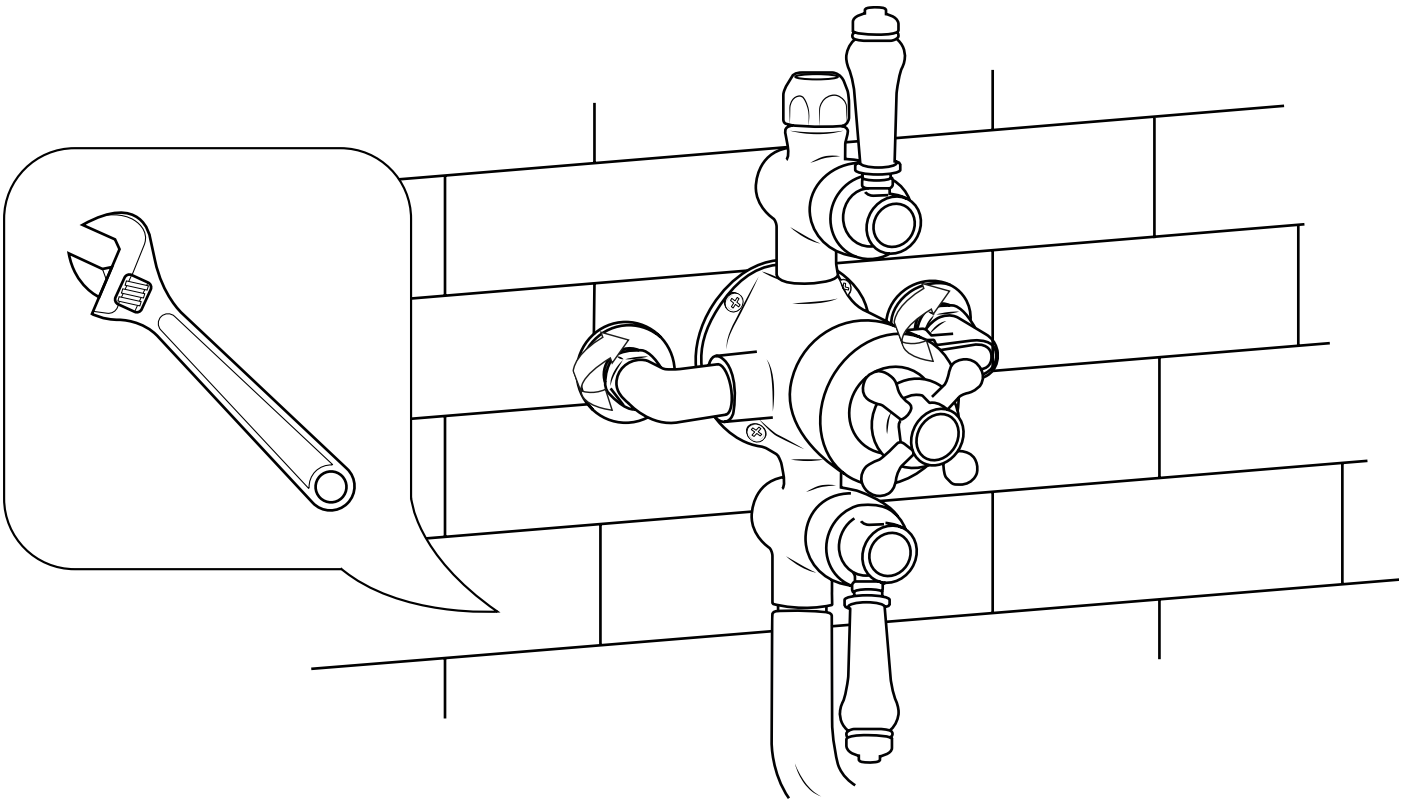
7



8

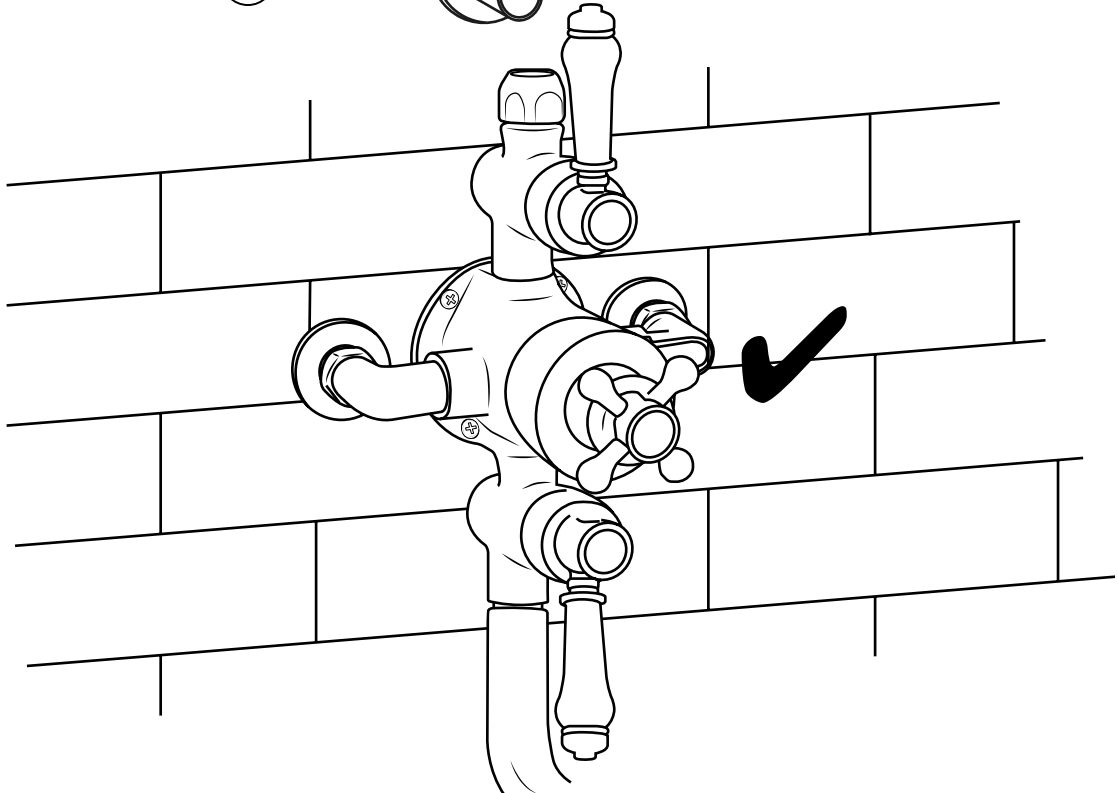


9



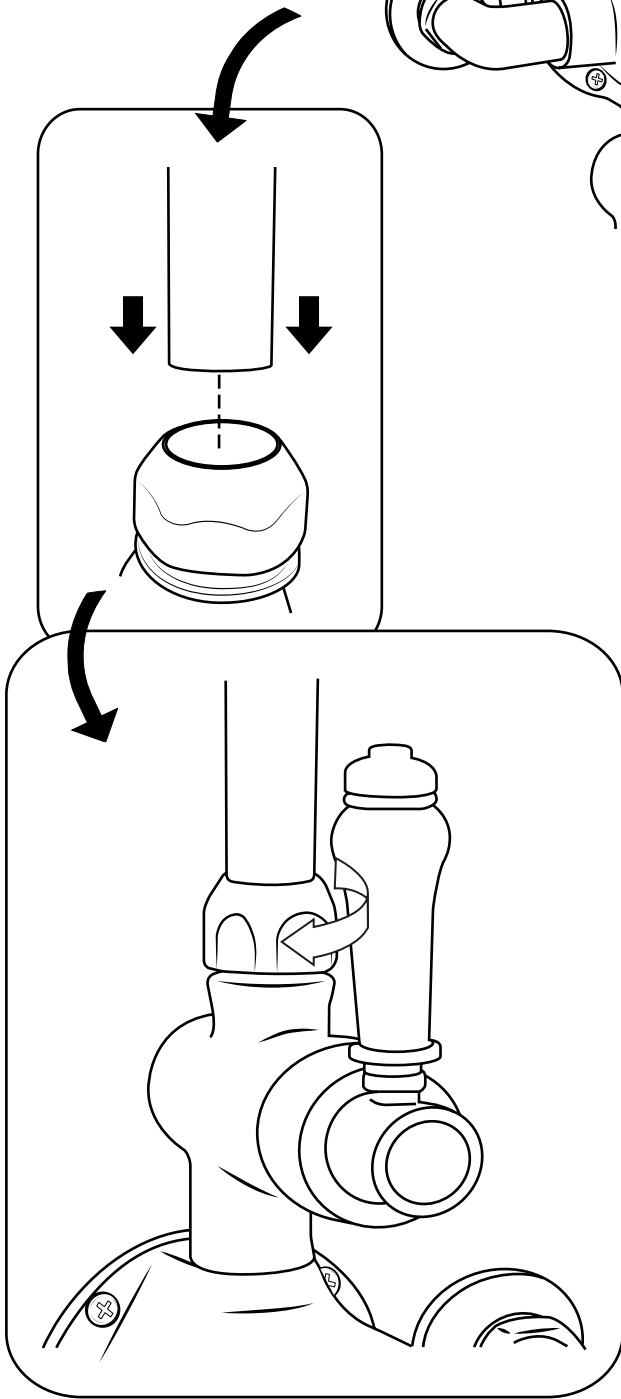
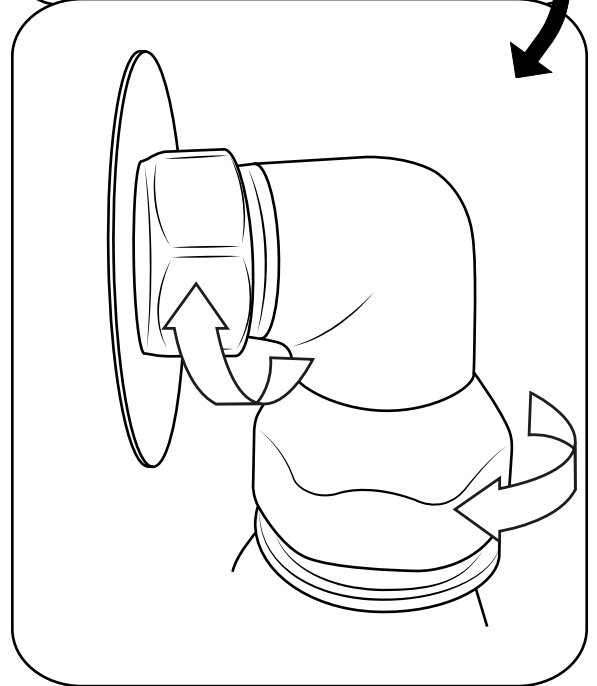
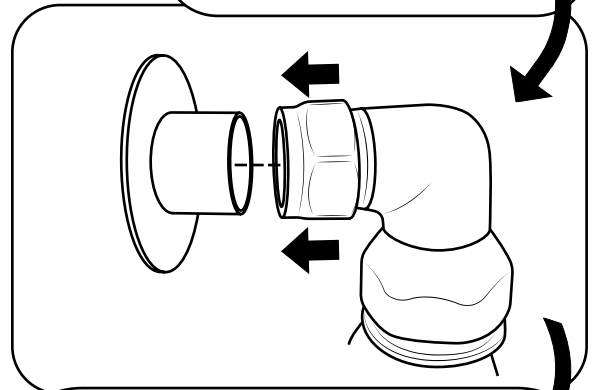
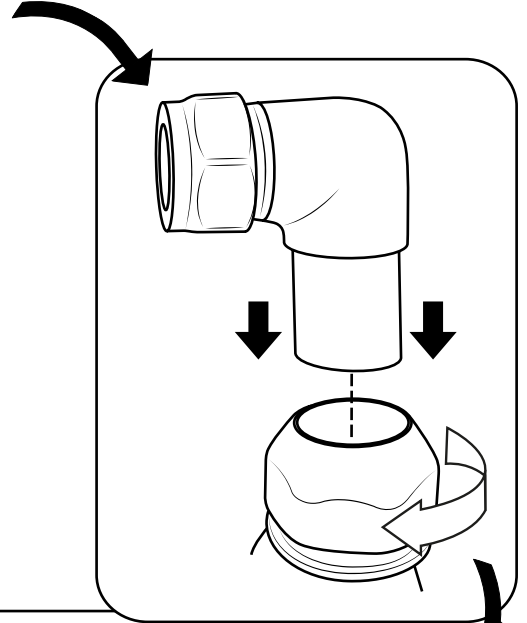
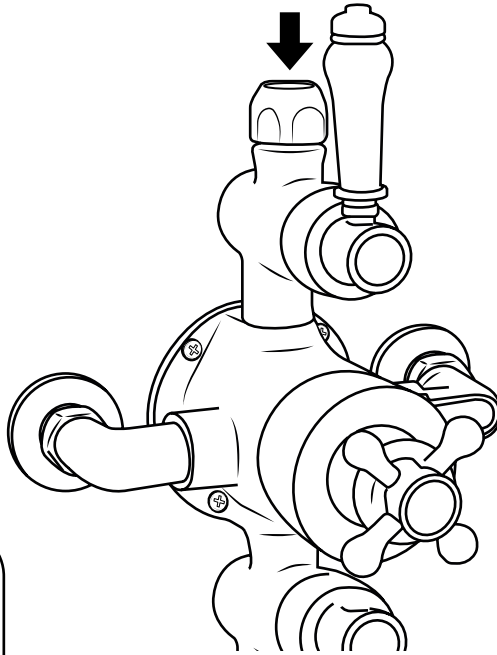
10

 Optional 

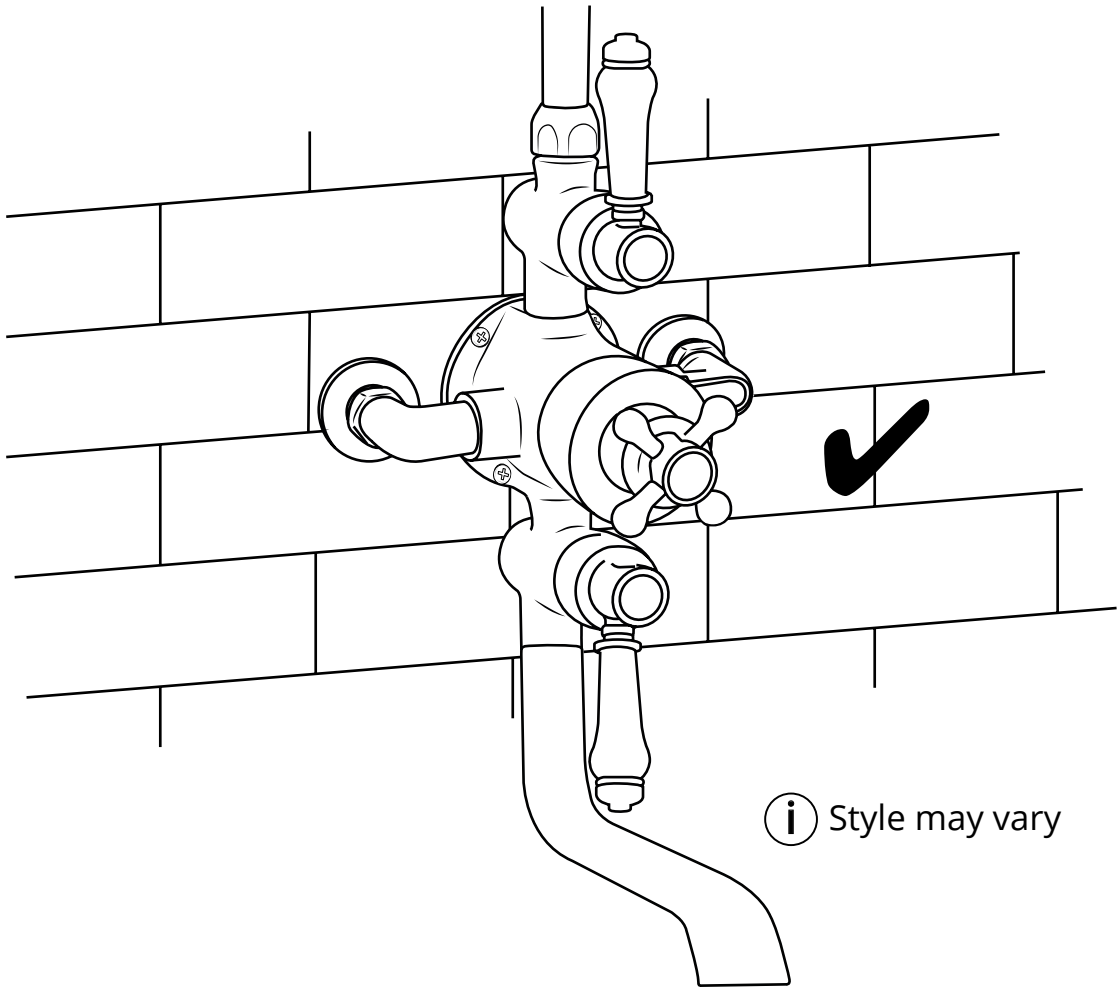


11

i Optional



12



i Style may vary